



Swap Headers

GM LS Engines, Slight Offset
Center Exit



- Patented design (U.S. Patent US D700,554 S)
- Header design features 1-7/8" tubes with 3" collectors
- We highly recommend the use of our Extreme Low Profile Clamps to add to the end of the collector
- Ideal for Street Rods, Custom Cars and Trucks
- INCLUDES: 2 header assemblies, ARP 12-point fasteners, Mr. Gasket MLS (Multi Layer Stainless) header gaskets

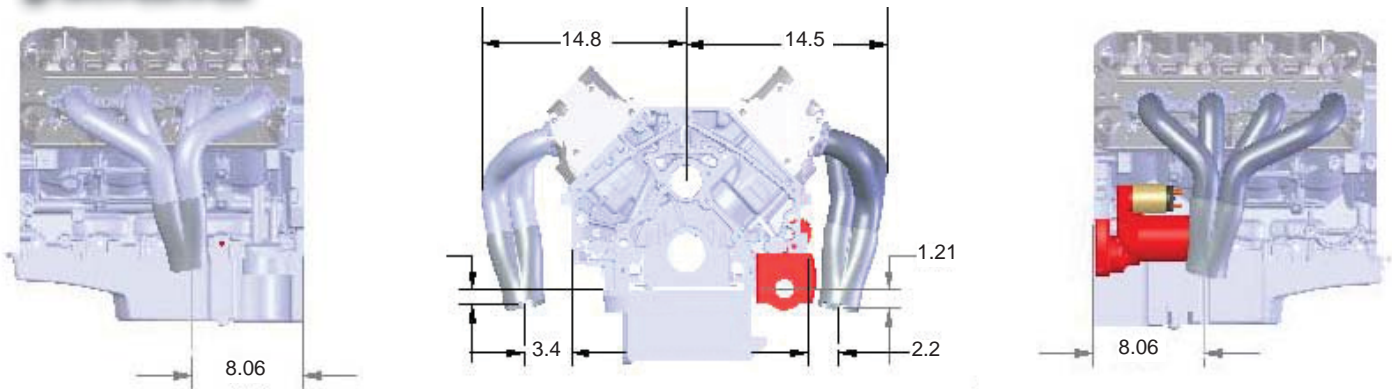
Part Numbers, Specs, Pricing

Applications - LS Engines into:

- Camaro
- Nova
- Chevelle
- Corvette

Part Number	Tube Diameter	Tube Gauge	Finish	List Price
101031	1-7/8"	18 gauge	Mill	\$1,049.00
101032	1-7/8"	18 gauge	Satin	\$1,249.00
101033	1-7/8"	18 gauge	Mirror Polish	\$1,449.00
101034	1-7/8"	18 gauge	Ceramic Coated Silver	\$1,290.00
101035	1-7/8"	18 gauge	Ceramic Coated Black	\$1,290.00

Dimensions



Finishes



Mill

Satin

Mirror
Polish

Ceramic
Coated
Silver

Ceramic
Coated
Black