



Swap Headers

Small Block Chevy, 1-5/8" Primary with 2-1/2" Cast Collector, Center Exit



- Patented design (U.S. Patent US D700,554 S)
- Ultimate Headers' investment cast 316L Stainless Steel head flanges deliver the new standard of unique, classic appearance merged with high strength 321 Stainless Steel tubes for heat resistance, great looks
- Unique investment cast 316L Stainless Steel collector delivers increased exhaust flow and exits parallel with the oil pan rail
- Perfect for Street Rods, Custom Cars and Trucks

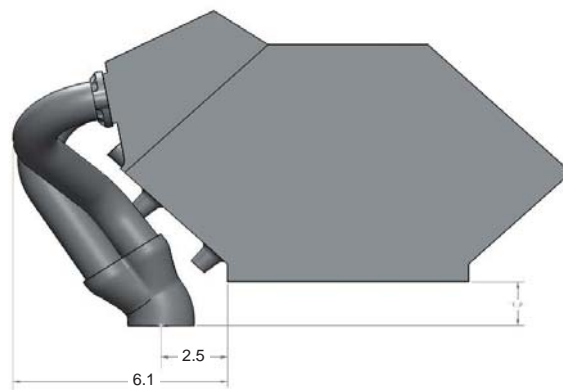
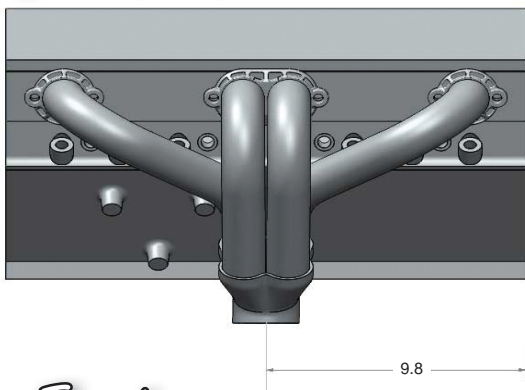
Part Numbers, Specs, Pricing

Applications:

- Small Block Chevy, 1-5/8" Primary with 2-1/2" Cast Collector, Center Exit

Part Number	Tube Diameter	Tube Gauge	Finish	List Price
201011	1-7/8"	18 gauge	Mill	\$595.00
201012	1-7/8"	18 gauge	Satin	\$650.00
201013	1-7/8"	18 gauge	Mirror Polish	\$895.00
201014	1-7/8"	18 gauge	Ceramic Coated Silver	\$795.00
201015	1-7/8"	18 gauge	Ceramic Coated Black	\$795.00

Dimensions



Finishes



Mill



Satin



Mirror Polish



Ceramic Coated Silver



Ceramic Coated Black