



Swap Headers

GM LS Engines, 1949 - 1954
Chevy Pickup



- Patented design (U.S. Patent US D700,554 S)
- We highly recommend the use of our Extreme Low Profile Clamps to add to the end of the collector

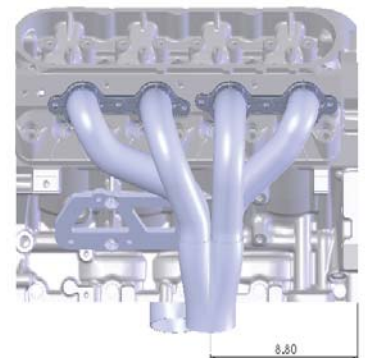
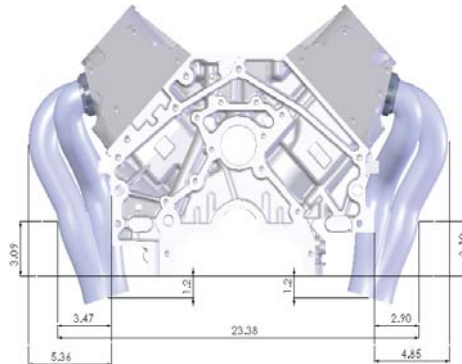
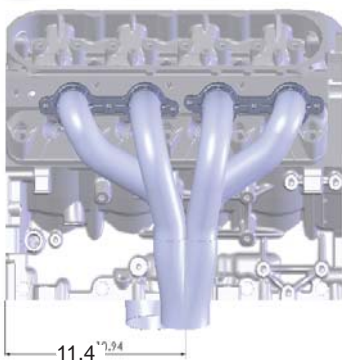
Part Numbers, Specs, Pricing

Applications - LS Engines into:

- 1949 - 1954 Chevy Pickups

| Part Number | Tube Diameter | Tube Gauge | Finish | List Price |
|-------------|---------------|------------|-----------------------|------------|
| 101051 | 1-7/8" | 18 gauge | Mill | \$1,035.00 |
| 101052 | 1-7/8" | 18 gauge | Satin | \$1,135.00 |
| 101053 | 1-7/8" | 18 gauge | Mirror Polish | \$1,335.00 |
| 101054 | 1-7/8" | 18 gauge | Ceramic Coated Silver | \$1,290.00 |
| 101055 | 1-7/8" | 18 gauge | Ceramic Coated Black | \$1,290.00 |

Dimensions



Finishes



Mill



Satin



Mirror
Polish



Ceramic
Coated
Silver



Ceramic
Coated
Black