



Swap Headers

GM G-Body, 1978-1988



- **Patented design (U.S. Patent US D700,554 S)**
- Includes premium corrosion and heat-resistant ARP (Automotive Racing Products) 12-point, 300 grade stainless steel bolts and washers
- Large (1-7/8") 321 Stainless Steel header tubes
- Header tubes are mounted high and tight, makes a very compact, space efficient package
- Package includes everything needed for the installation -- headers, ARP 12-point Stainless Steel bolts & washers and Cometic MLS (Multi Layer Stainless) header

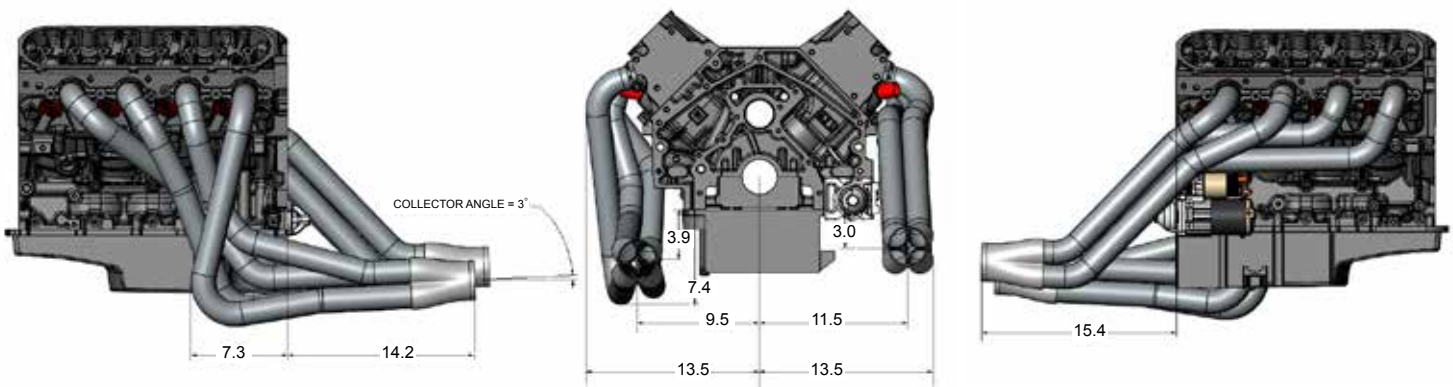
Part Numbers, Specs, Pricing

Applications:

- GM G-Body, 1978-1988

Part Number	Tube Diameter	Tube Gauge	Finish	List Price
102041	1-7/8"	18 gauge	Mill	\$1,195.00
102042	1-7/8"	18 gauge	Satin	\$1,495.00
102043	1-7/8"	18 gauge	Mirror Polish	\$1,695.00
102044	1-7/8"	18 gauge	Ceramic Coated Silver	\$1,449.00
102045	1-7/8"	18 gauge	Ceramic Coated Black	\$1,449.00

Dimensions



Finishes



As Cast Flange/
Mill Finish
on Tubing



Satin Flange/
Satin Finish
on Tubing



Mirror Polished Flange/
Mirror Polished Finish
on Tubing



Mirror Polished Flange/
Silver Ceramic Finish
on Tubing



Mirror Polished Flange/
Black Ceramic Finish
on Tubing