



# Long Tube Headers

GM LS/LSX, 1st & 2nd Gen Camaro



- **Patented design (U.S. Patent US D700,554 S)**
- Includes premium corrosion and heat-resistant ARP (Automotive Racing Products) 12-point, 300 grade stainless steel bolts and washers
- Large (1-7/8") 321 Stainless Steel header tubes
- Header tubes are mounted high and tight, makes a very compact, space efficient package
- Package includes everything needed for the installation -- headers, ARP 12-point Stainless Steel bolts & washers and Cometic MLS (Multi Layer Stainless) header

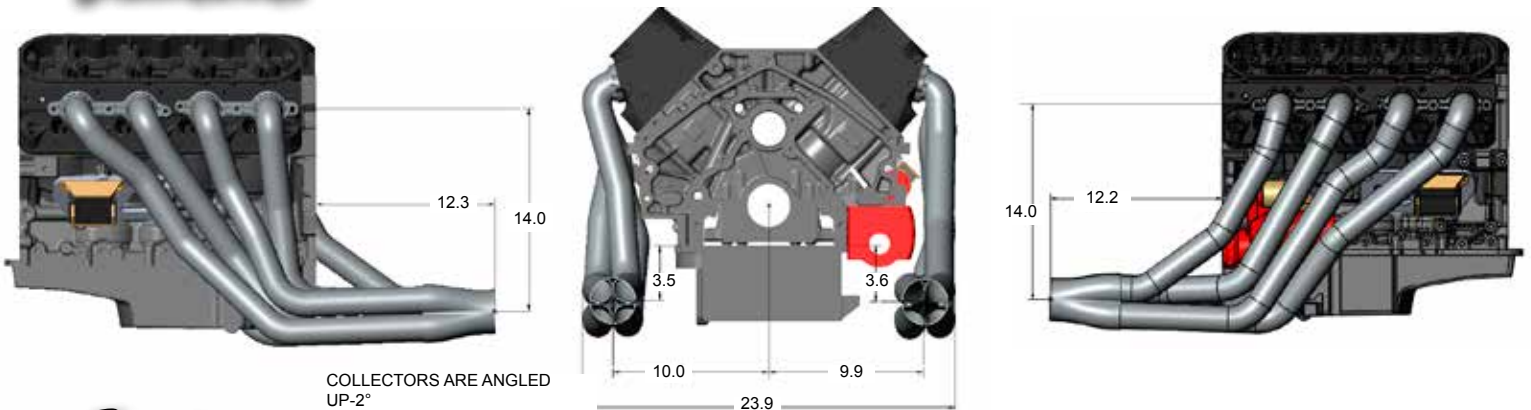
## Part Numbers, Specs, Pricing

Applications:

- 1st Gen & 2nd Gen Camaro

Part Number	Tube Diameter	Tube Gauge	Finish	List Price
102021	1-7/8"	18 gauge	Mill	\$1,195.00
102022	1-7/8"	18 gauge	Satin	\$1,495.00
102023	1-7/8"	18 gauge	Mirror Polish	\$1,695.00
102024	1-7/8"	18 gauge	Ceramic Coated Silver	\$1,449.00
102025	1-7/8"	18 gauge	Ceramic Coated Black	\$1,449.00

## Dimensions



## Finishes



As Cast Flange/  
Mill Finish  
on Tubing



Satin Flange/  
Satin Finish  
on Tubing



Mirror Polished Flange/  
Mirror Polished Finish  
on Tubing



Mirror Polished Flange/  
Silver Ceramic Finish  
on Tubing



Mirror Polished Flange/  
Black Ceramic Finish  
on Tubing