



Swap Headers

GM LT1/LT4, 1st & 2nd Gen Camaro



- Patented design (U.S. Patent US D700,554 S)
- Includes premium corrosion and heat-resistant ARP (Automotive Racing Products) 12-point, 300 grade stainless steel bolts and washers
- Large (1-7/8") 321 Stainless Steel header tubes
- Header tubes are mounted high and tight, makes a very compact, space efficient package
- Package includes everything needed for the installation -- headers, ARP 12-point Stainless Steel bolts & washers and Cometic MLS (Multi Layer Stainless) header

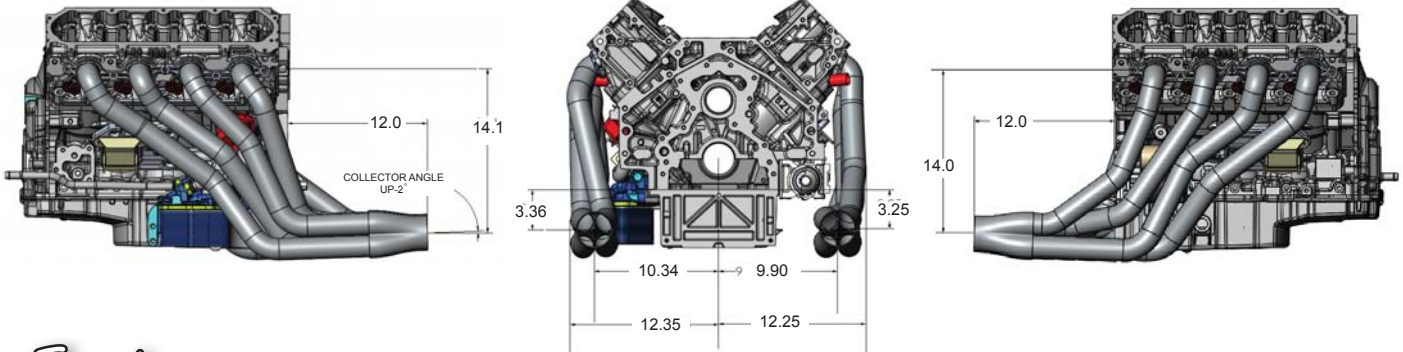
Part Numbers, Specs, Pricing

Applications - LT1/LT4 Engines into:

- 1st Gen Camaro

Part Number	Tube Diameter	Tube Gauge	Finish	List Price
112071	1-7/8"	18 gauge	Mill	\$1,295.00
112072	1-7/8"	18 gauge	Satin	\$1,495.00
112073	1-7/8"	18 gauge	Mirror Polish	\$1,695.00
112074	1-7/8"	18 gauge	Ceramic Coated Silver	\$1,449.00
112075	1-7/8"	18 gauge	Ceramic Coated Black	\$1,449.00

Dimensions



Finishes



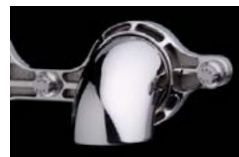
Cast Flange / Cast Elbow



Satin Flange / Satin Elbow



Mirror Polish Flange / Mirror Polish Elbow



Silver Ceramic Flange / Mirror Polish Elbow



Black Ceramic Flange / Mirror Polish Elbow